

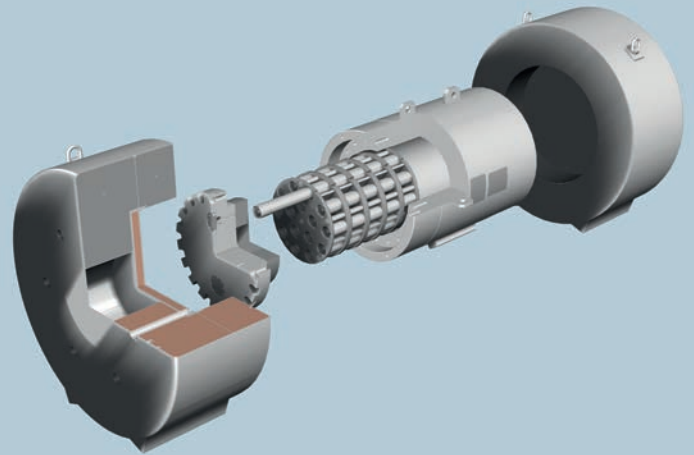
TN[®] MW FAMILY

New triple purpose solution dedicated to waste

The best combination
between waste form and
waste container

- Simplification
- Rationalization
- Standardization

An optimized solution
for waste management



Accommodating to various waste types:

Metallic activated waste, legacy waste, sludge, resins, fissile materials ...

Using of 50+ years of
package design approved
by numerous worldwide
regulators

“All in One Solution”

Transport -
Storage -
Up to Final
Disposal

DESIGN FOR:

- ILW and HLW waste
- IP-2 to B Type Transport license
- Compatible with fissile material
- Modular, compact & flexible

WITH ADDITIONNAL SERVICES:

- Loading/unloading (Technical services)
- Transport
- Drying system
- Monitoring
- Virtual reality training

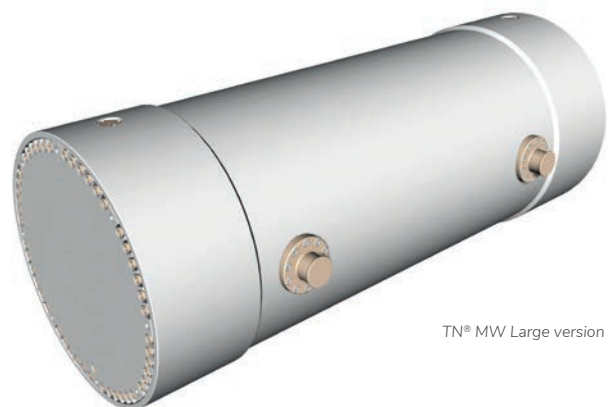
TN[®] MW - LARGE VERSION

Transport - Long Term Interim Storage

SIZED TO FIT LARGER WASTE

mm (indicate value in inches)	Height
Internal length	4 500 (177,16)
Internal diameter	1 700 (66,92)

Approximate weight	48 t (105 822 lbs)
Maximum weight when loaded (without shock absorber)	60 t (132 277 lbs)



TN[®] MW Large version

TN[®] MW FAMILY

New triple purpose solution dedicated to waste

TN[®] MW - SHORT VERSION

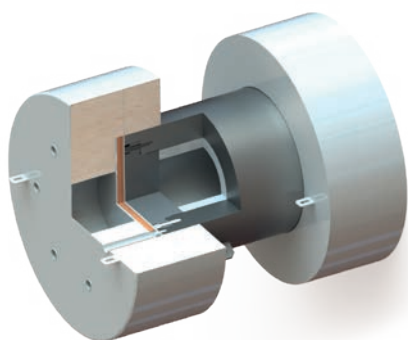
Transport - Long Term Interim Storage - Up to Final Disposal

PERFORMANCES

- IP2 / A / B(U) / B(U)F IAEA 2012
- Maximum activity 300 TBq Co-60
- Maximum payload 2 t (4 409 lbs)
- Wet or dry operations
- High resistance to corrosion

MAIN DIMENSIONS

mm (indicate value in inches)	Diam.	Height
External dimensions (without shock absorber)	1 060 (41,73)	1 500 (59,05)
Internal dimensions - max	740 (29,1)	1 140 (44,88)
	515 (20,27)	900 (35,43)
Internal dimensions - min		
Maximum weight when loaded (without shock absorber)	10 t (22 046 lbs)	



TN[®] MW in transport configuration



TN[®] MW in storage configuration



TN[®] MW on-site transport version

ORANO WASTE SOLUTIONS MAPPING ORANO

Licensed in France & Belgium
First Delivery in 2017

		ALPHA CONTAMINATED WASTE		BETA / GAMMA WASTE	
		IP-2	B Type	IP-2	B Type
SOLID WASTE	Transport	ISO Container	TN [®] GEMINI	ISO Container	Cask for irradiated material
	Storage	TN [®] MW Family			
		Concrete cask		Concrete cask	NUHOWS
LIQUID WASTE	Transport	Tanks			
	Storage	TN [®] MW Family			
		Concrete cask		Concrete cask	

Orano TN

1, rue des Hérons - 78180 Montigny-le-Bretonneux - France
Europe: Mounir GHOBRIINI
 Ph.: + 33 1 34 96 63 25 - g-sales.waste@orano.group
USA: Chris MILLER
 Ph.: +1 410-910-6924 - g-sales.waste@orano.group

